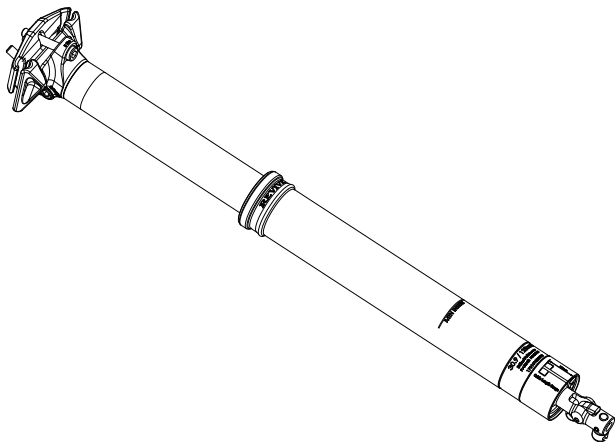




DROPPER POST USER MANUAL



REVIVE



REVIVE USER MANUAL

English

page **1-24**

German

page **25-47**

Copyright © 2016 BikeYoke
All Rights Reserved

READ THIS BEFORE INSTALLATION AND USAGE

Thank you for purchasing the most innovative hydraulic dropper post on the market - the BikeYoke REVIVE. Your new seatpost is warranted for a period of two years from the date of purchase. The warranty is expressly limited to the repair or replacement of the defective part and is the sole remedy of the warranty. The warranty applies only to the original owner and is not transferrable. Proof of purchase is required to validate warranty eligibility. The warranty does not cover normal wear and tear, routine maintenance, improper installation or improper use of the seatpost. Modification of the seatpost in any manor shall void the warranty. BikeYoke shall not be responsible for incidental or individual costs incurred by the warranty service provider that are not covered by this warranty. The user assumes the risk of any personal injury or property damage, including damage to the seatpost, and any other losses, if the seatpost is modified or improperly used at any time. This warranty gives the consumer specific legal rights and those rights vary from state to state. This warranty does not affect the statutory rights of the consumer.

ATTENTION

This is a high performance product. It will give you reliable service if installed properly and regularly maintained by an authorized BikeYoke service center.

Inform yourself about regular maintenance and detailed service plans on

www.bikeyoke.com.

Read through these instructions fully and follow them carefully before installing and/or using your new seatpost. If your seatpost seems to have a problem, or if you have any questions about your seatpost, or if you are unsure about a possible issue, please contact us immediately. You will find our contact information on our website

www.bikeyoke.com.

WARNING

Your BikeYoke seatpost must be regularly maintained by a qualified service technician. If you need assistance locating a qualified service technician, more information can be found at **www.bikeyoke.com**. Do not disassemble your seatpost by yourself! Disassembly could cause damage and severe personally injury as some of the contents are under high pressure. Always wear suitable safety gloves and safety glasses, when working on your seatpost!

Failure to follow these warnings and instructions will immediately void your warranty!

GENERAL

ATTENTION!

Please read the following instructions carefully and install your REVIVE dropper post according to the steps detailed below. Your BikeYoke dropper post is a precision piece of cycling equipment that requires a specific understanding of bicycle maintenance and assembly to install. If you are not certain that you have the appropriate skills or tools to properly install or service this product, please contact your local bicycle dealer or service provider for assistance.

Detailed installation and service videos for all models can be viewed at www.bikeyoke.com

REVIVE models use internal cable routing and are designed to be compatible with bicycle frames that feature such cable routing.




DO NOT DRILL OR MODIFY YOUR FRAME IN ANY WAY. Doing so will void the Warranty of REVIVE and in most cases void the warranty of your bicycle. Modification of your frame in any way may result in frame failure which could result in injury or death.

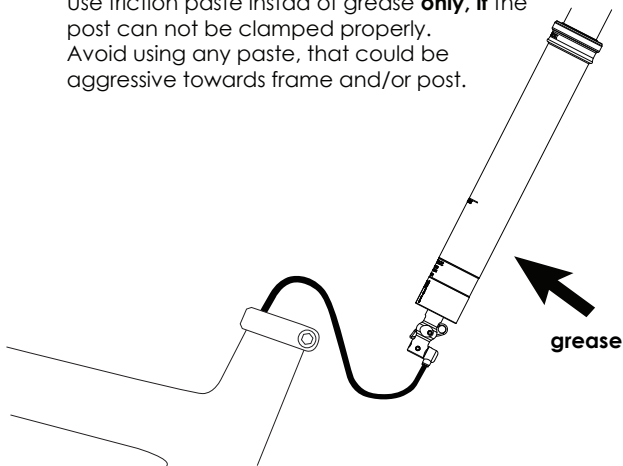
If you are unsure, whether your REVIVE is compatible with your frame, contact your bicycle frame manufacturer or BikeYoke directly. You will find BikeYoke contact details to BikeYoke service centers on our website www.bikeyoke.com.

Your new BikeYoke REVIVE has travelled a long way until you received it. All this travelling might have caused air to get inside the hydraulic main chamber. Please do a hydraulic reset before using your post for the first time. Instructions how to do will follow later in this manual.

BEFORE INSTALLING THE SEATPOST

Please be sure that your new REVIVE is designed to fit in your frame. All REVIVE models are designed to fit either 30.9mm or 31.6mm or 34.9mm seat tube inner diameters in frames, originally designed for internal cable routing. Improper fit may cause slippage, faulty performance, injury or death and may result in void of warranty.

-  BikeYoke **DOES NOT** recommend modification or alteration of your frame in any way. Doing so may void your frame or bicycle's warranty and may result in frame failure which could lead to injury or death.
-  Make sure that your seat tube is clean and free of debris and that the inside of your seat tube is smooth and free of any object that may score the seatpost!
-  Apply a heavy suitable grease on the lower tube of the post to avoid galvanic corrosion inside the frame. Use friction paste instead of grease **only, if** the post can not be clamped properly. Avoid using any paste, that could be aggressive towards frame and/or post.



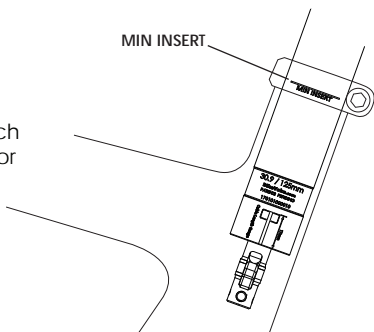
MINIMUM INSERTION DEPTH AND TORQUE

MINIMUM INSERTION DEPTH

All seatpost models must be inserted into the bicycle's seat tube while covering the minimum insertion line indicated on the seatpost.



Insufficient insertion of the seatpost into the bicycle frame's seat tube could result in damage to the seatpost and/or bicycle and may result in a loss of control of the bicycle which may lead to serious injury or death.

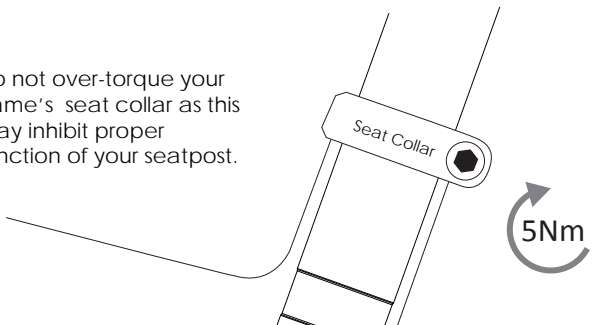


SEAT COLLAR TORQUE

Tighten your frame's seat collar to a maximum torque of 5Nm



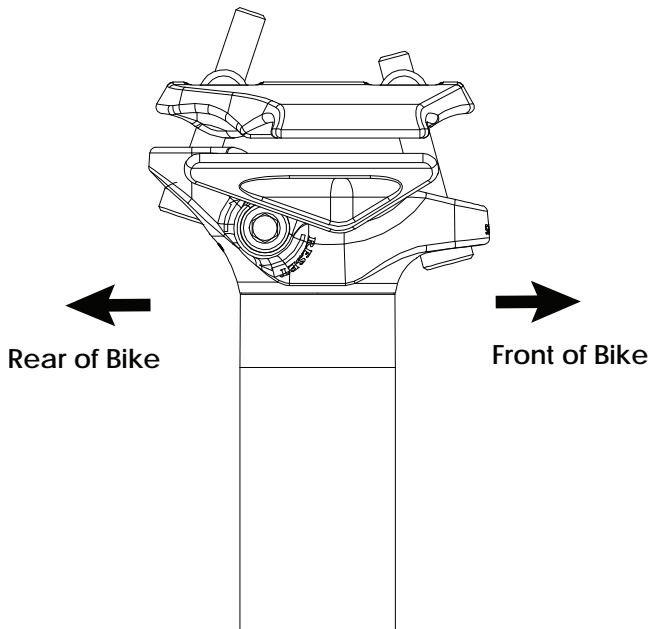
Do not over-torque your frame's seat collar as this may inhibit proper function of your seatpost.



SEATPOST ORIENTATION

SEATPOST ORIENTATION

There is only one position for seatpost direction, saddle and saddle clamp orientation.



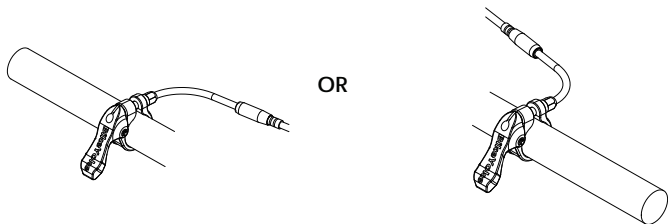
DETERMINING CABLE HOUSING LENGTH

DETERMINING CABLE HOUSING LENGTH

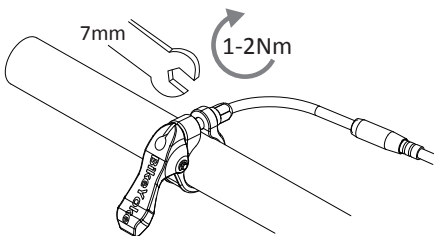
Temporarily install the remote lever in the desired final location. The 2-by remote can be installed on either the right or left side of the handlebar.

NOTE: You will use this position to determine cable length, but remove and reinstall the lever again in a later step.

Install the supplied elbow noodle with integrated barrel adjuster into the 2-by remote and insert cable housing including installed ferrule into the barrel adjuster.



Using a 7mm wrench, loosen the remote lever pinch bolt and remove the bolt. Snap the lever clamp over the handlebar and position it in the desired location. Reinstall the bolt and tighten to a torque of 1-2Nm

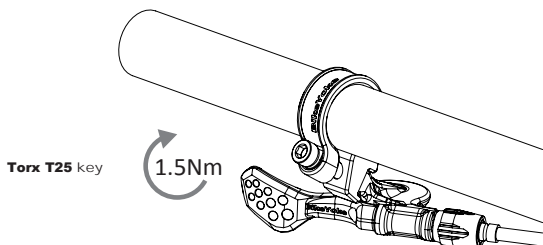


Triggy remote is installed via a snap-on clamp to the handlebar, or optionally via I-Spec adapters.

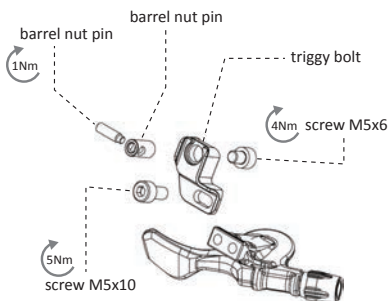
Use a torque of 1-2Nm on the pinch bolt of the snap-on clamp.

The Triggy remote can only be installed on the left side, underneath the handlebar.

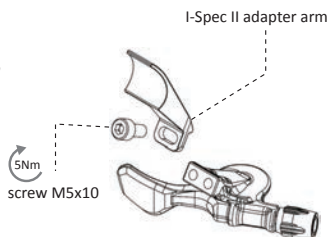
Triggy is not to be installed with the elbow noodle. The outer housing including the ferrule goes directly into Triggy's barrel adjuster.



I-Spec Adapter installation scheme and parts



I-Spec B

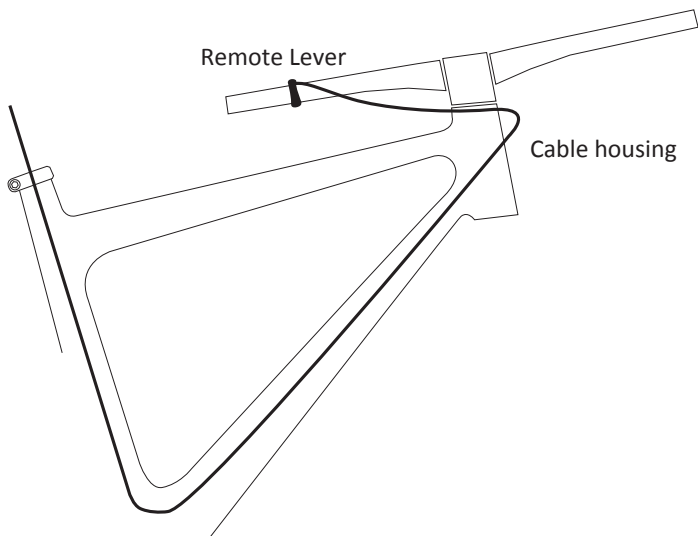


I-Spec II

With the housing and noodle in place at the remote lever, route the housing through your bicycle frame per your bicycle frame manufacturer's specifications.

To determine the correct length for your housing, pull the housing to remove excess slack with the handlebars turned more than 90° from the forward position. Be sure the housing is long enough to wrap around the head tube as shown to not impede with steering.

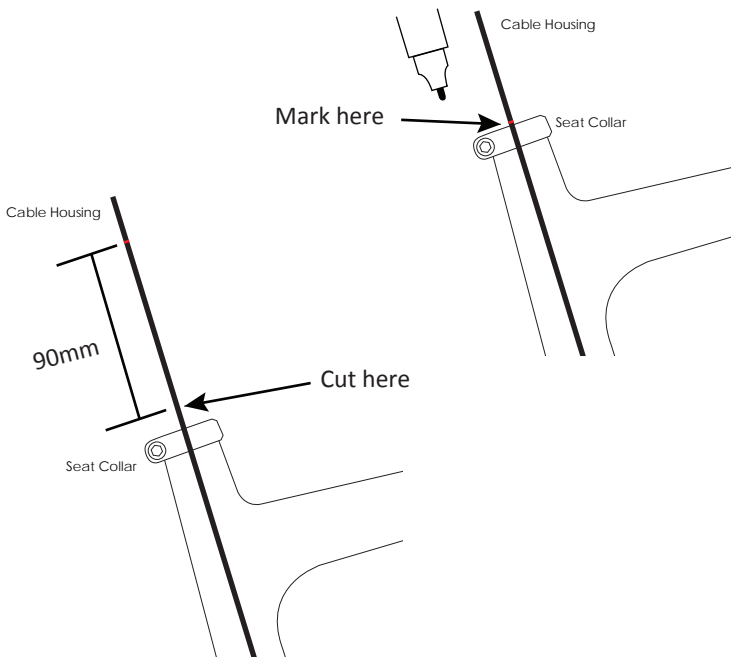
Do not permanently affix your housing in place. You will need it free to move in a later step.



Mark the location on your cable housing at the seat collar as it protrudes from the seat tube.

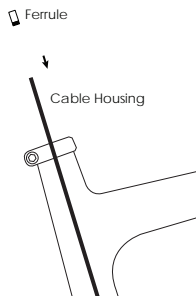
Pull the cable housing out of the seat tube (you may need to take off the remote from the handlebar, to pull the housing out completely) and make another mark 90mm in the direction of the handlebar. This will be your final housing length for minimum insertion depth. If you install your post deeper than the minimum insertion depth, add the extra insertion depth to the 90mm measurement.

Cut the housing to length with proper cable cutters.

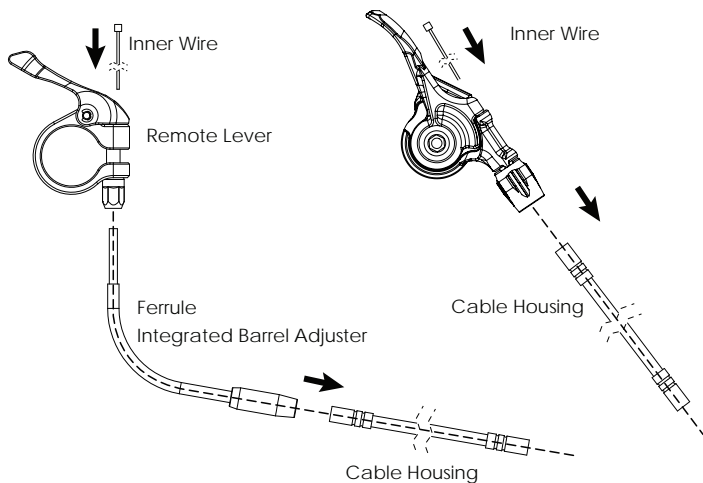


DETERMINING INNER CABLE LENGTH

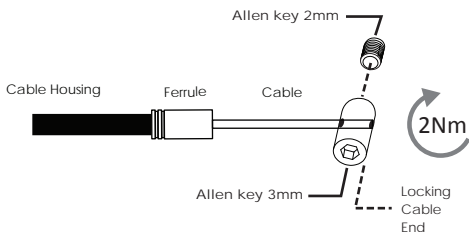
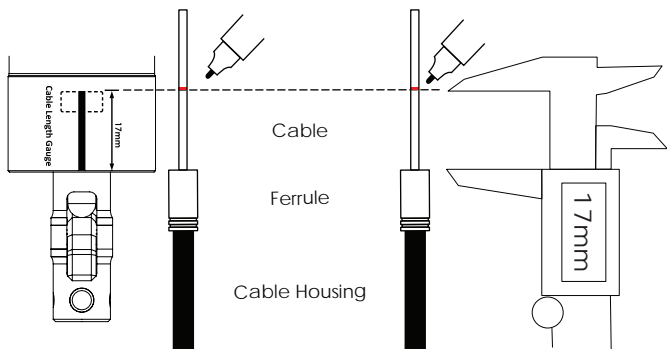
With the housing still routed through your frame, install the ferrule on the free end of the cable housing. Make sure to push the ferrule completely onto the cable housing.



Feed the inner wire through the remote lever, elbow noodle and cable housing.



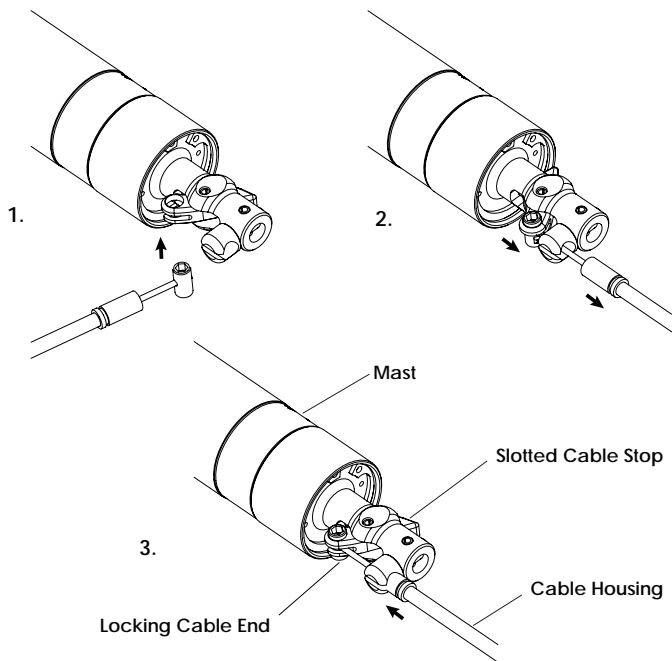
1. Slide the open barrel nut over the inner cable.
2. Hold the cable housing with the end of the ferrule to the seatpost's lower end and use the laser engraved length gauge to find the correct position for the barrel nut. The correct length of the inner cable is 17mm longer than housing including ferrule
3. Securely tighten the barrel nut using a 2mm and 3mm Allen key with 2 Nm.
4. Use a pair of cable cutters and cut the inner cable flush with the end of the barrel nut. Be careful! The ends of the inner wire might be sharp after cutting!



CONNECTING THE CABLE

CONNECTING THE CABLE TO THE SEATPOST

1. Insert the barrel nut end into the actuation lever.
2. Guide the inner cable through the slotted cable end stop and push the ferrule firmly into the cable end stop by hand.
3. Gently pull on the outer housing and move the lever down to pass the cable end stop with the ferrule.



INSERTING THE SEATPOST

INSERTING THE SEATPOST

Insert the seatpost into your seattube.

When inserting or extending, make sure you do not pull too hard on the outer housing, while guiding it through the internals of your frame, as you may pull the ferrule out of the cable stop.



Never extend the post higher than the minimum insertion mark on the post's lower tube! This may cause too much stress on the seatpost and lead to seatpost failure which may cause severe injury or death!

When inserting deeper, make sure there is nothing (such as pivot points, bent tubes, ...) inside your seattube that can interfere with the post.

Always use suitable grease on contacting faces between seatpost and seattube in order to avoid potential corrosion. Use friction paste only, if proper clamping is not possible with greased components. Contact us before applying friction paste.

Torque your seat collar with a maximum of 5Nm! Too much clamping force may cause the post to move slowly or sticky.

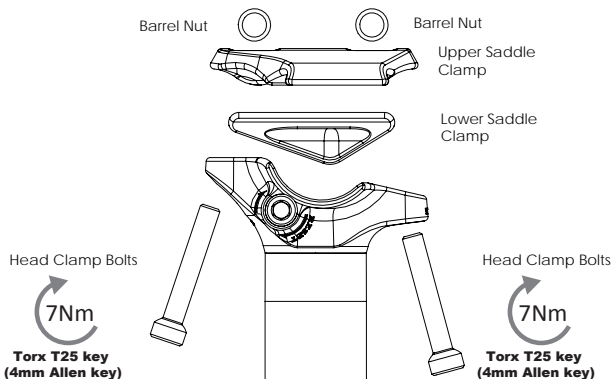


Make sure your post does not slip inside the seattube, when sitting on it before going out for a real ride

SADDLE INSTALLATION

SADDLE INSTALLATION

Once you have installed your REVIVE seatpost into your seat tube you will need to install your saddle. Unscrew the two saddle head clamp bolts, barrel nuts, upper and lower floating clamp using a T25 Torx wrench (4mm Allen key on older versions).



To install the saddle, replace the two saddle head clamp bolts, spherical nuts, upper and lower floating clamp in the order in which they were removed.

Before tightening, place the rails of your saddle between the upper and lower saddle clamps so that the rails rest in the channel provided by the lower floating clamp.

REVIVE saddle clamp is compatible with standard rails, oval rails and carbon rails.

Tighten the two head clamp bolts until the desired saddle angle is achieved. Then tighten both bolts evenly to a maximum torque of 7 Nm. Make sure, that the shaft or thread of the bolts do not contact the post and cause bending of the bolts.

ADJUSTING RETURN SPEED

ADJUSTING RETURN SPEED

Your REVIVE comes with a factory setting of 240~250psi in air pressure. This pressure will provide a good balance between return speed and lever force.

However, if you feel your return speed is too slow, you can make your post faster by increasing air pressure up to a **maximum of 260psi**



When adjusting the air pressure, always wear safety glasses and gloves, since the dropper post contains high pressures and suspension fluid!

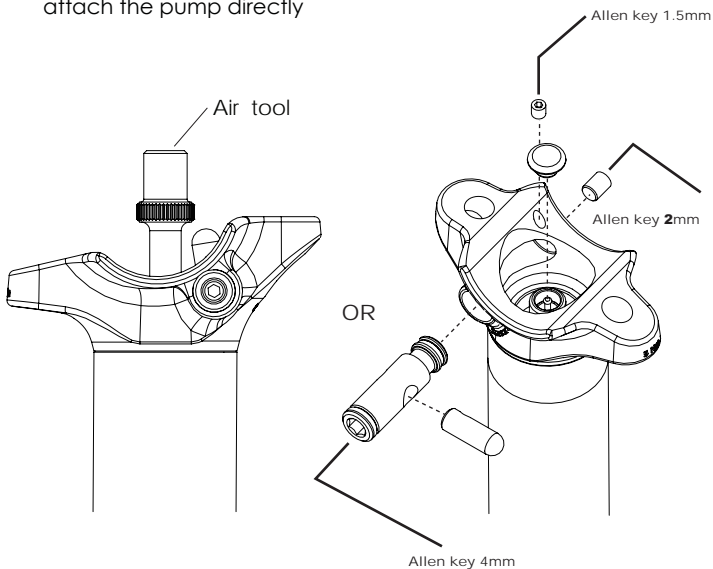


Always hold your post right side up, when adjusting air pressure. Never operate the air valve, while the post is laying horizontally or upside down or you will cause suspension fluid to leak out of the post under high pressure! This can cause severe injuries!

1. Reset the post and extend to maximum length before adjusting air pressure. Let the post rest for 30 seconds.
2. Remove saddle clamp parts.
3. Move the reset lever to upward position using a 4mm Allen key.
4. Remove the small valve cover/plug from the valve housing. Do not lose this small plug since it is essential for proper reset function.
5. Attach the air valve adapter and then attach the shock pump onto the adapter

- Pump the post to desired pressure. We do not recommend pressures lower than 200psi, since it can make the post become very slow. Maximum pressure is **260psi**. We recommend to use a high quality shock pump with a 2-step valve to avoid air loss, when detaching the pump.
- Remove pump and adapter from the post.
 - Clean your post from any excessive suspension fluid.
 - Reinstall all previously remove parts in the order they were removed.

Instead of using the air adapter, you can also remove the reset axle and attach the pump directly



USING YOUR SEATPOST

BEFORE FIRST RIDE: USING THE RESET FUNCTION

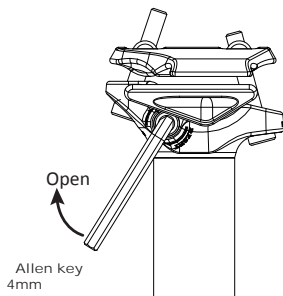
When you receive your post, it will have travelled a long way to you. This may have oil and air get mixed up and let your post feel springy.

After installing your post, do a hydraulic reset, using the REVIVE's patented reset feature:

1. Push the remote to extend the post completely.
2. Gently turn the reset valve clockwise until you feel a stop using a 4mm Allen Key.
3. Drop the post by hand completely, while keeping the reset valve turned.
4. Release the reset valve and then let go of the saddle.
5. Push the remote to extend the post.

The correct function should be completely restored after this procedure. If it still feels springy, repeat the reset procedure, if applicable wait a few minutes between to resets to give the oil a few minutes to settle down.

Use the reset function, whenever your post starts to feel springy. "Springyness" can be caused by storing your bike upside down or laying for a while. Try to store or park your bike only in upright position to avoid the need for a reset.



LOWERING AND RAISING THE SADDLE

To lower the saddle, push the trigger and then weight the saddle firmly by hand or by sitting on it.

Apply force only in the direction of the seat tube axis, as this will ensure smoothest action and reduce wear of pins and bushings inside the post.

To raise the saddle, push the trigger and unweight the saddle.

Once the desired position is reached, release the trigger.

You can set the saddle height infinitely in any position within the post's travel range.

If your post has not been used/adjusted for a longer period of time, you might need to manually break the post loose, as the seals have a tendency to stick to the contacting surfaces after a while of not moving.

For this initial "break-away" just push the remote and then gently push or pull the saddle until the post starts moving.

Unlike to posts for other manufacturers it is acceptable to gently pull on the saddle or lift the bike on the saddle.

CLEANING YOUR SEATPOST

Clean your seatpost after every ride using warm water and a clean cotton or microfibre cloth.

Carefully clean the stanchion and the wiper, not letting any water pass the wiper. Avoid water entering the frame during cleaning.

Do not scratch the stanchion!

Dry the post after cleaning!

SAFETY AND MAINTENANCE

BEFORE EACH RIDE

Before each ride, check that the seatpost is secured in the frame and that all clamping bolts are tightened to their specified torque values. Make sure that your seatpost does not show sign of excessive wear and is not leaking. Check that the seatpost functions properly. Make sure that the maximum raised position of the seatpost is not too high for the rider to properly maintain control of the bicycle.

PERIODIC MAINTENANCE

Your REVIVE seatpost requires periodic service to maintain consistent function. Please check our website www.bikeyoke.com for detailed service interval documents. Please see your local dealer or contact one of our service centers to have a service performed.

Routine maintenance should be done at regular intervals. Interval duration will depend on frequency of use and conditions. We recommend to clean and lubricated the inside of the lower tube once every 6 months. Wet or severely dusty conditions will require more frequent maintenance. If high pressure water is used to wash the bicycle, more frequent maintenance is recommended due to the increased chance of water entering the system. If degradation of performance occurs, perform maintenance as soon as possible. Videos of service procedures can be found on www.bikeyoke.com

Service Center contact information can be found at www.bikeyoke.com

QUICK TROUBLESHOOTING

I did a hydraulic reset, but my post still has vertical play

In rare cases, a lot of air can get inside the inner chamber, and/or the oil is foamed. Multiple resets will help solve this problem. Give the post a few minutes between each reset procedure for the oil to settle down.

My REVIVE moves a little bit, when I am pushing on it.

Every hydraulically locked post - no matter which brand - allows a little bit of movement, when you sit or push on it. This is normal and you can find the most important reasons below:

- In contrary to the common opinion, oil is not incompressible. Liquids and oil in particular can be compressed to a certain extent - even if it is just a little bit.
- O-Rings require some space in their housings for easy installation and proper function. This space can be used for small movements, when under pressure.
- Tubes are not 100% rigid. When under pressure from the inside, you can imagine their deformation, as if they were bloating like a balloon (exaggerated). This deformation allows minimal movement of the shaft.

All those things contribute to occurring minimal vertical movement of the post, when under load. This movement can be up to 1-3mm and is absolutely normal. It does not come from air, that you might think is still trapped inside the inner chamber. You will not be able to feel this when riding, and there is no need to worry about it.

QUICK TROUBLESHOOTING

My remote/lever is stuck and does not return, after pushing it

This is most likely due to one of the following reasons:

- The linkage at the bottom of the post is dirty or not properly greased/lubricated. Over some time, bikes collect dirt and mud inside the frame after washing. This mud can get to the leverage mechanism, when having the bike upside down (for example after washing). Cleaning and generously re-greasing the bottom mechanism should solve this. Use only thick bearing grease. If you often wash your bike, using a lot of water, it is recommended to remove the seatpost after washing, so you can get rid of excessive water and mud through the open seattube. Not only will your REVIVE benefit from this, but also your frame bearings. Always give your bike some time to thoroughly dry after washing.
- The air pressure is not correct. The usual air pressure of the post is between 210-250psi. Less pressure inside the air chamber, does not only mean slower return speed, but also less return pressure for the push rod, which engages the lower leverage unit. Reset the post and fully extend it. Then wait for a few minutes, before you pump the post to 250 psi in upright position and using a shock pump with a double-step valve, to avoid air loss when detaching the pump. In rare cases the valve core (valve insert) might have gotten a little bit loose after the first couple of rides, resulting in very subtle air loss over weeks or months. Use a valve key to torque the schrader valve core to the correct 0,5Nm for proper sealing function.

QUICK TROUBLESHOOTING

My post returns very slowly and/or feels sticky, especially right before top-out, although pressure is set correctly

Check your seat collar first. Some seat collars squeeze the seattube very unevenly, which can result in uneven deformation of the seattube and seatpost and cause friction in the post. Use the torque on your seat collar as low as possible, just so that your REVIVE does not slip inside the seattube, but in any case do not tighten with more than 5Nm.

If that was not the problem your post does not necessarily need a full service. Most likely, it is just caused by a clogged foam ring at the bottom of the seatpost inside the lower tube. This small foam ring is a dirt and dust protection, covering the small holes in the bottom of the post. Those holes allow the post to breath during dropping and extending. If the foam is soaked with oil/water/grease, it may clog the holes and make the post feel sticky during extending and also harder to compress, since it will create another air spring in the lower tube. Air cannot get in and out fast enough.

That being said, using too much grease during a service is not the best thing to do.

If you remove the big circlip at the bottom of the post then you can slide up the lower tube and you will see the small foam ring. After cleaning this ring and reassembly, your post should work as smoothly as it used to do.

If you are experiencing an issue, which you can not solve with any of the above solutions, you can find more detailed troubleshooting on **www.bikeyoke.com**